

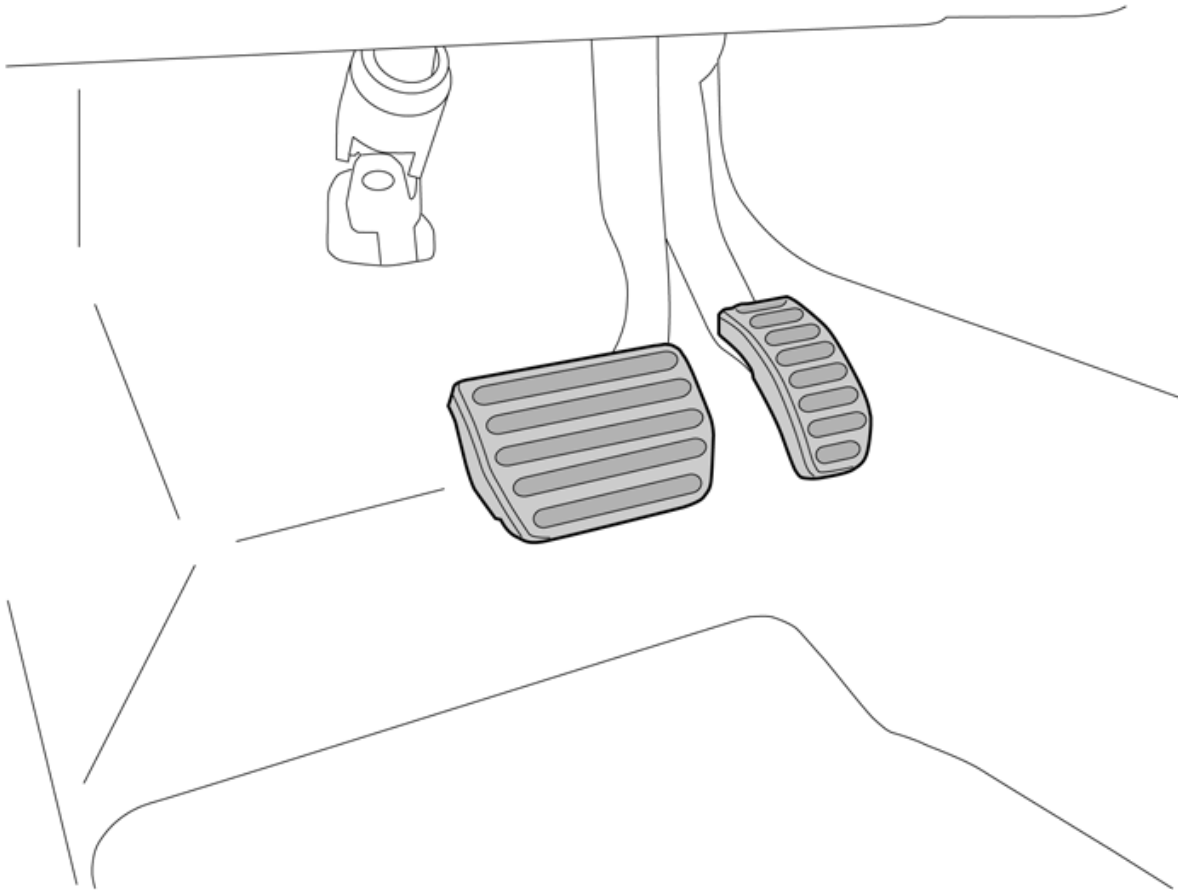


# Installation instructions, accessories

Volvo Car Corporation Gothenburg, Sweden

Instruction No	Version	Part. No.
31317739	1.0	31317623, 31317620, 31317621, 31317622

## Metal pedals



IMG-309463



# Installation instructions, accessories

Volvo Car Corporation Gothenburg, Sweden

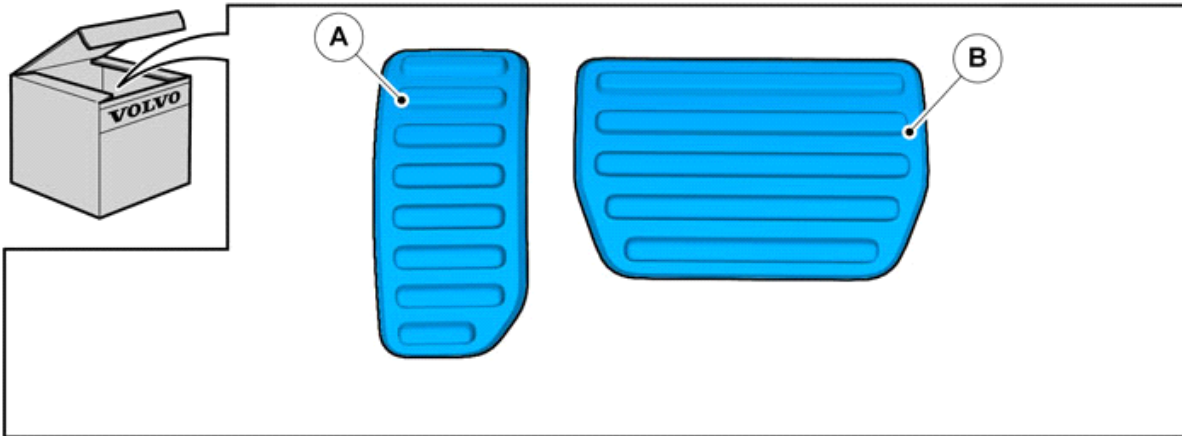
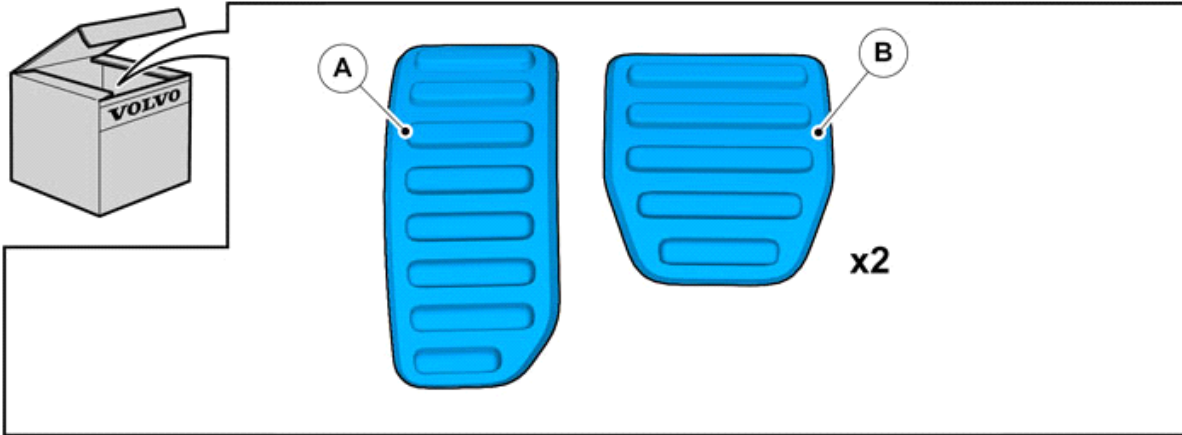
## Equipment



IMG-309504



IMG-239667



IMG-339849



# Installation instructions, accessories

Volvo Car Corporation Gothenburg, Sweden

## INTRODUCTION

Read through all of the instructions before starting installation.

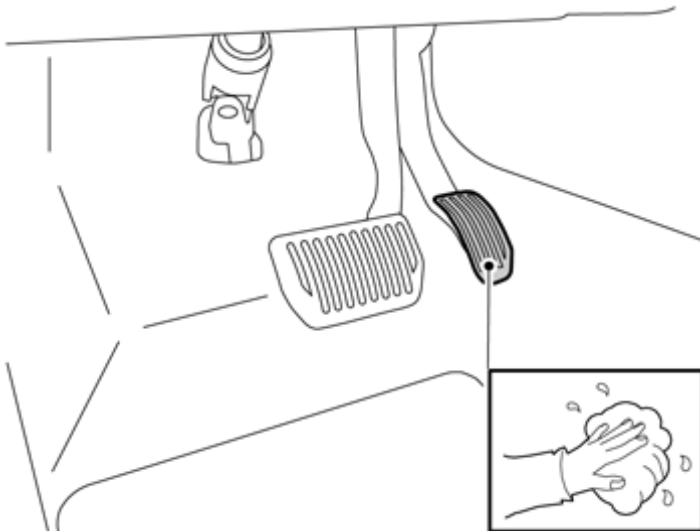
Notifications and warning texts are for your safety and to minimise the risk of something breaking during installation.

Ensure that all tools stated in the instructions are available before starting installation.

Certain steps in the instructions are only presented in the form of images. Explanatory text is also given for more complicated steps.

In the event of any problems with the instructions or the accessory, contact your local Volvo dealer.

1



IMG-309523

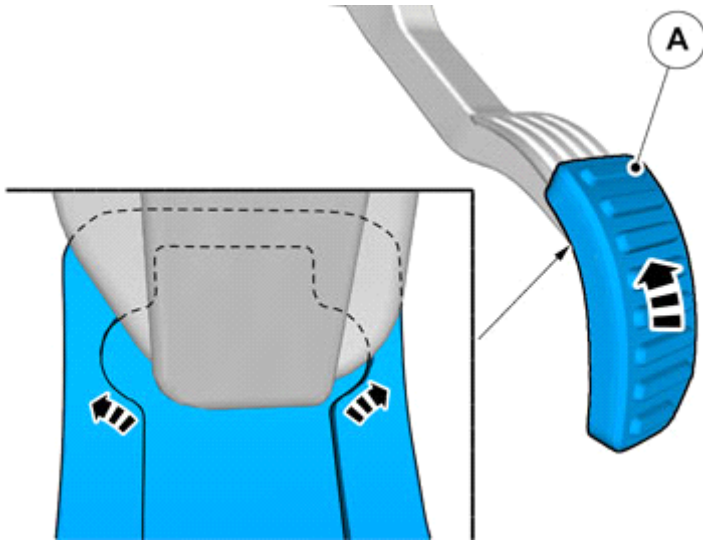
Clean the surface.



# Installation instructions, accessories

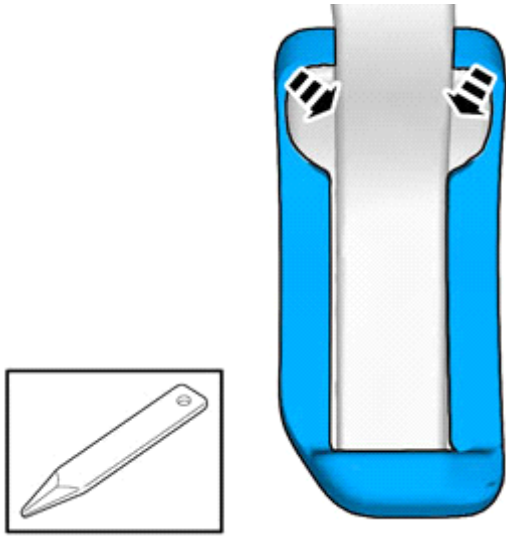
Volvo Car Corporation Gothenburg, Sweden

2



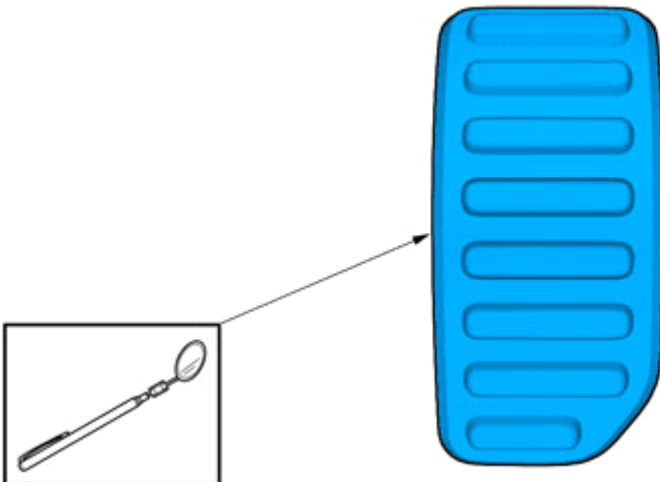
IMG-339850

3



IMG-339851

4



IMG-339852

### Caution!

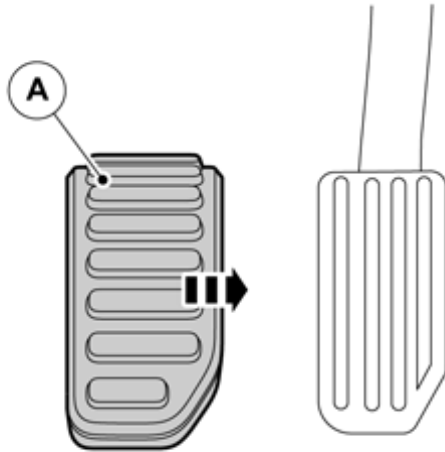
Using a mirror, check that the profiles of the protector are around the edges of the pedal.



# Installation instructions, accessories

Volvo Car Corporation Gothenburg, Sweden

5

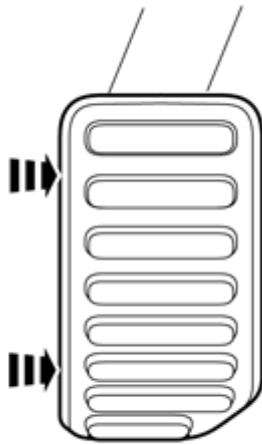


**Applies to right-hand drive vehicles**

Hook the cover onto the long side of the accelerator pedal.

IMG-309623

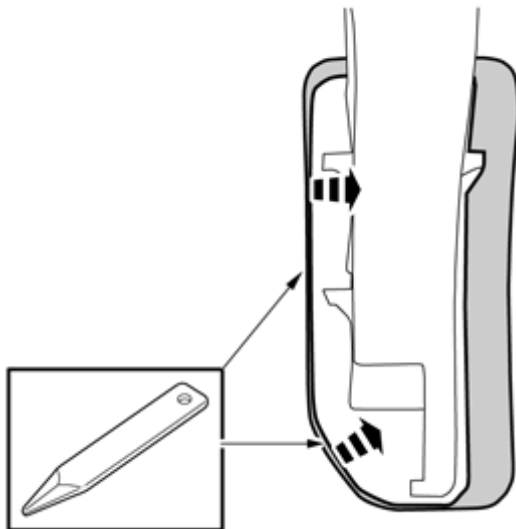
6



Press the protector towards the pedal.

IMG-309643

7



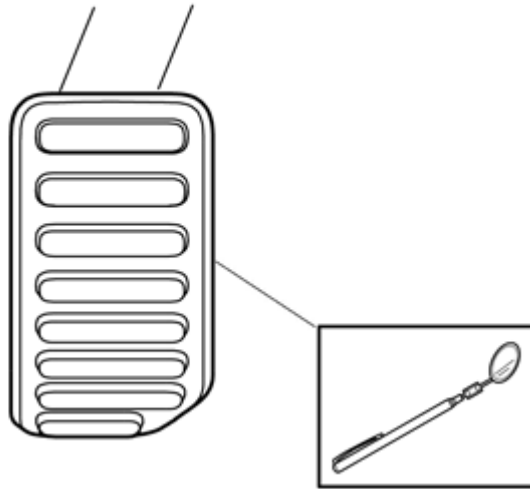
IMG-309664



# Installation instructions, accessories

Volvo Car Corporation Gothenburg, Sweden

8

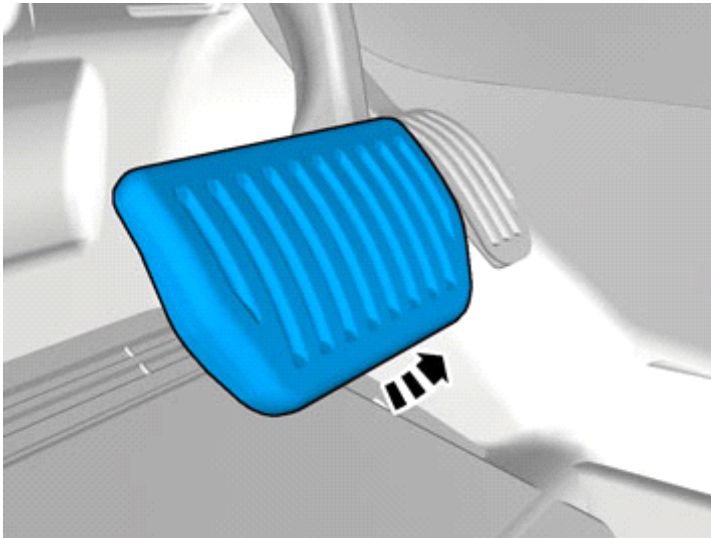


IMG-339853

### Caution!

Using a mirror, check that the profiles of the protector are around the pedal.

9



IMG-339856

**Applies to cars with an automatic transmission**

### Note!

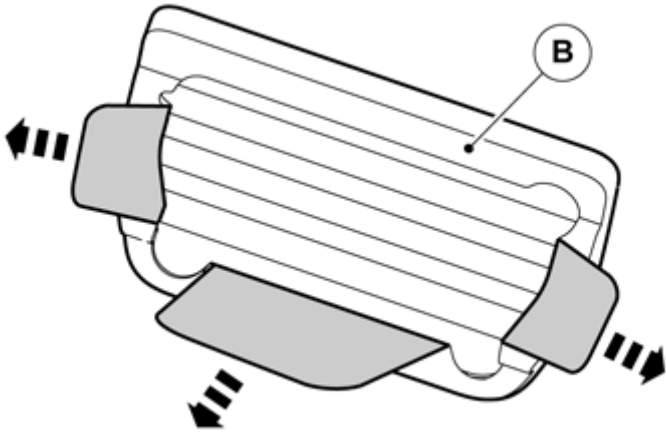
The component(s) must not be reused.



# Installation instructions, accessories

Volvo Car Corporation Gothenburg, Sweden

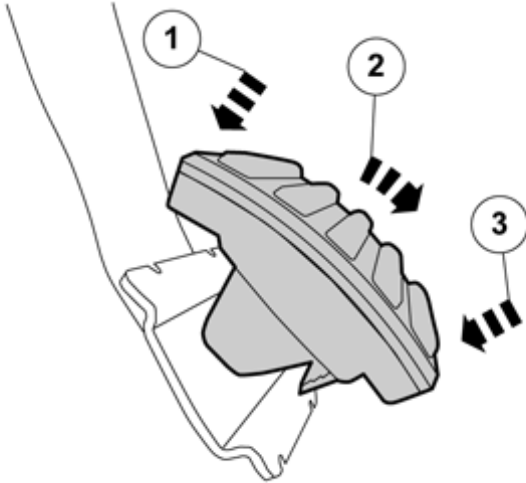
10



IMG-309843

Hold the pedal protector as illustrated and fold out the three tabs.

11

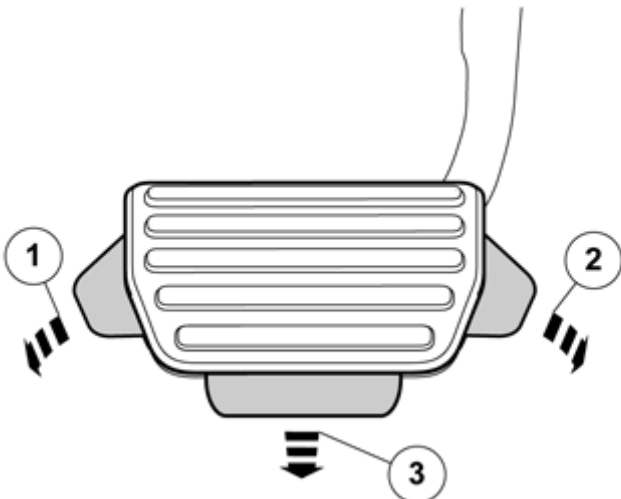


IMG-309844

Hook the protector on at the upper edge, at the same time hold the tabs and pull downwards.

Press the protector firmly onto the pedal.

12



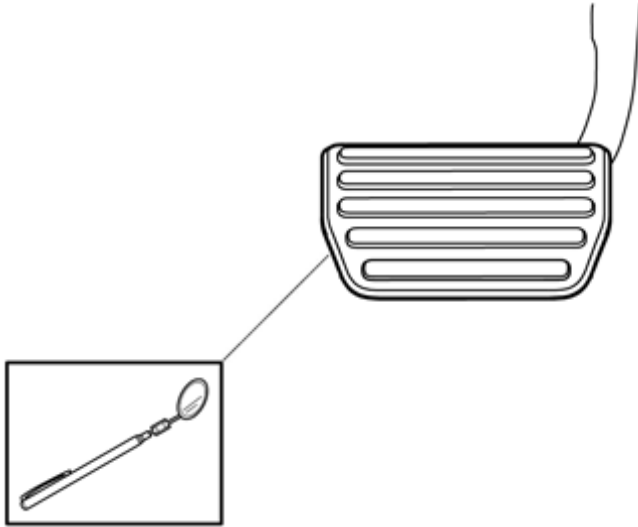
IMG-309863



# Installation instructions, accessories

Volvo Car Corporation Gothenburg, Sweden

13

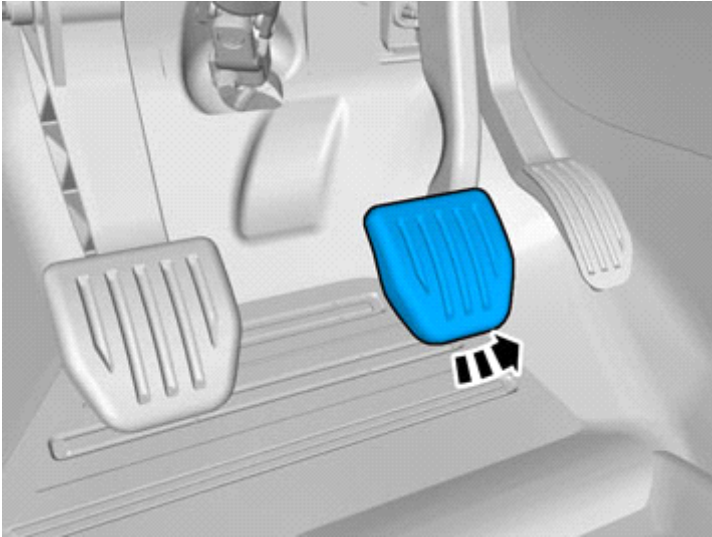


IMG-339857

### Caution!

Using a mirror, check that the profiles of the protector are around the edges of the pedal.

14



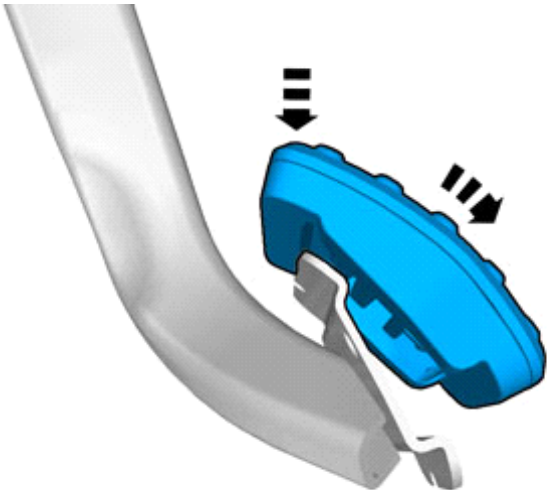
IMG-339858

**Applies to cars with manual gearbox**

### Note!

The component(s) must not be reused.

15



**Applies to cars with manual gearbox**

Hook the protector on to the brake pedal at the upper edge and pull downwards.

IMG-339859

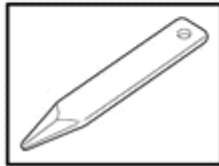
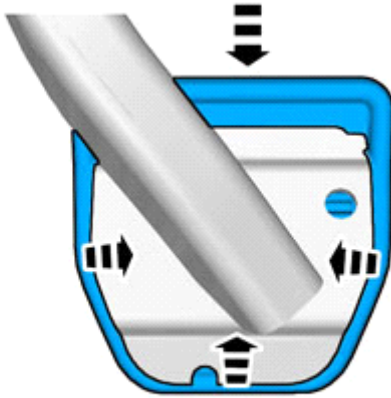




# Installation instructions, accessories

Volvo Car Corporation Gothenburg, Sweden

16



IMG-339860

## Applies to cars with manual gearbox

Press the protector towards the pedal, at the same time as folding the protector's profile over using a weatherstrip tool. Important. Using a mirror, check that the profiles of the protector are around the edges of the pedal.

Repeat the steps for the clutch pedal.